

TECHNICAL PRODUCT SUBMITTAL

AMICUS LAHP-2604WWS BOOST HEAT PUMP

Heating Data		
Heating Capacity (EN14511) ¹		kW
Total Power input (EN14511) ¹		kW
COP (EN14511) ¹		W/W
Nominal flow rate		m ³ /h
Pressure drop across the heat pump		kPa
EcoDesign data		
EcoDesign Energy Label Rating		LT/HT
SCOP Low Temperature		
Seasonal Efficiency High temperature		%
General Data		
Refrigerant type		
Compressor Type		
Number of Compressors		
Number of Circuits		
Capacity steps		
Minimum capacity step		%
Electrical Data		
Power supply		V/Ph/Hz
Maximum input power		kW
Maximum input current standard unit		A
Peak input current standard unit		A
Peak input current with soft start option fitted		A
Fuse rating (delayed)		A
Fans		
Sound power level		dB(A)
Sound pressure level		dB(A)

496
102
4.86
68.33
11.2
A++/A++
6.2
188
R134A
Scroll
4
2
4
25
400/3+N/50
143
252
499
375
315
91
59

Model	Octave band (Hz)								Lw		Lp
	63	125	250	500	1K	2K	4K	8K	Db	dB(A)	dB(A)
	dB	dB	dB	dB	dB	dB	dB	dB			
302	78.1	69.3	63.2	61.7	60.6	55.2	51.8	42.7	78.9	65	49
402	78.1	69.3	63.2	61.7	60.6	55.2	51.8	42.7	78.9	65	49
602	83.1	74.3	68.2	66.7	65.6	60.2	56.8	47.7	83.9	70	54
702	86.1	77.3	71.2	69.7	68.6	63.2	59.8	50.7	86.9	73	57
902	87.1	78.3	72.2	70.7	69.6	64.2	60.8	51.7	87.9	74	58
1202	89.1	80.3	74.2	72.7	71.6	66.2	62.8	53.7	89.9	76	60
1402	91.1	82.3	76.2	74.7	73.6	68.2	64.8	55.7	91.9	78	62
1804	101.1	92.3	86.2	84.7	83.6	78.2	74.8	65.7	101.9	88	72
2304	102.1	93.3	87.2	85.7	84.6	79.2	75.8	66.7	102.9	89	73
2604	104.1	95.3	89.2	87.7	86.6	81.2	77.8	68.7	104.9	91	75

Lw: sound power level according to ISO 3744

Lp: sound pressure level at 1 mt from the unit in free field conditions direction factor Q=2 according to ISO 3744

TECHNICAL PRODUCT SUBMITTAL

AMICUS LAHP-2604WWS BOOST HEAT PUMP

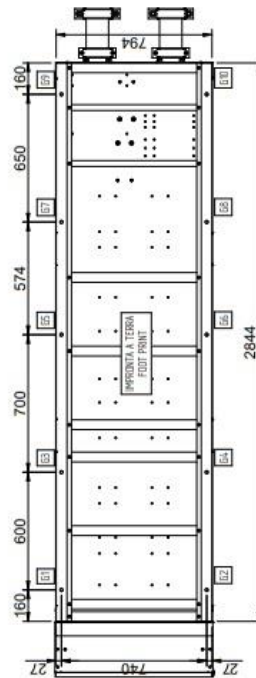
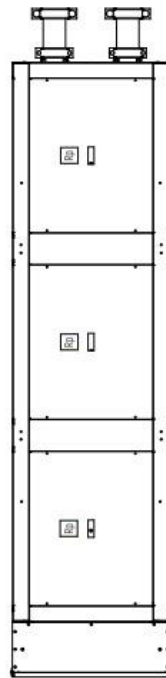
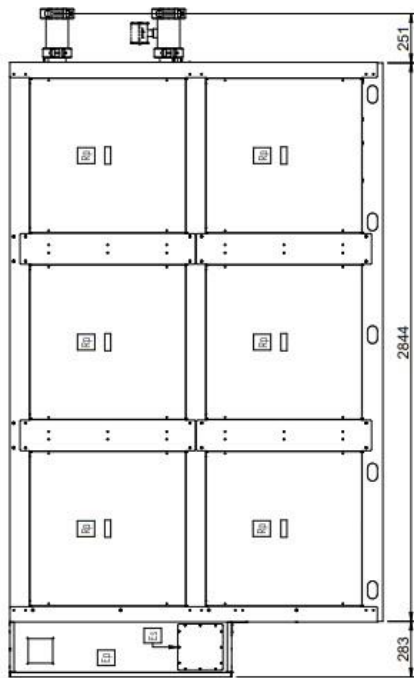
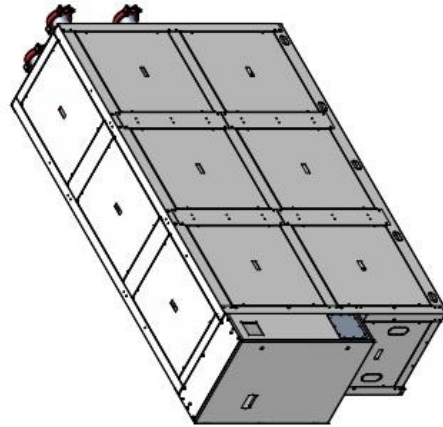
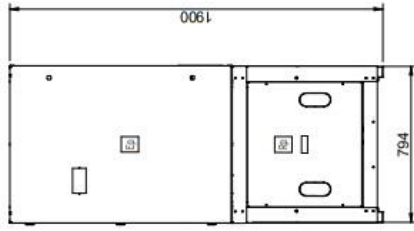
User	65			70		
Source	Output	Absorption	COP	Output	Absorption	COP
20	334	238	3.48	n/a	n/a	n/a
25	381	283	3.88	370	263	3.43
30	435	335	4.35	421	311	3.83
35	496	394	4.86	479	367	4.28
40	564	460	5.37	543	429	4.72
45	641	534	5.94	616	500	5.26
User	75			78		
Source	Output	Absorption	COP	Output	Absorption	COP
20	n/a	n/a	n/a	n/a	n/a	n/a
25	n/a	n/a	n/a	n/a	n/a	n/a
30	407	287	3.39	399	272	3.14
35	461	339	3.75	452	322	3.5
40	522	398	4.18	510	379	3.86
45	591	465	4.62	577	443	4.31

n/a=not allowed heat pump will not work at operating conditions

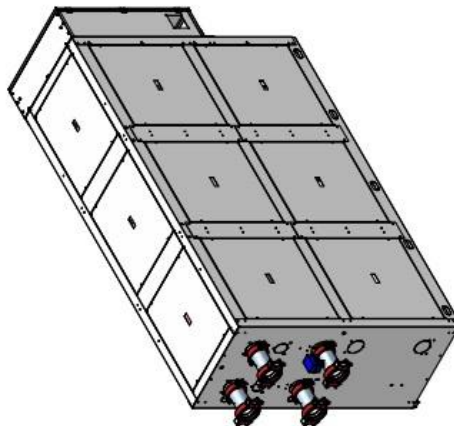
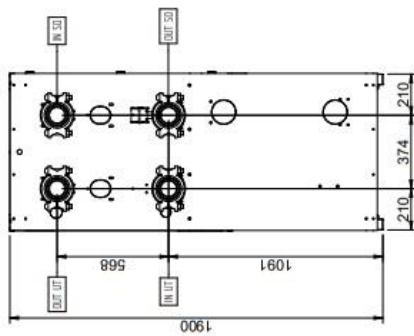
Amicus air to water heat pumps must be installed and maintained in line with the Installation Commissioning and Maintenance Instructions which are available on the Literature & Downloads section of www.lochinvar.ltd.uk

TECHNICAL PRODUCT SUBMITTAL

AMICUS LAHP-2604WWS BOOST HEAT PUMP



WEIGHT OF THE UNIT (Kg) PESO DELL'UNITA' (Kg)		2604
-	1804	2304
G1	160	177
G2	160	177
G3	160	177
G4	160	177
G5	160	177
G6	160	177
G7	160	177
G8	160	177
G9	160	177
G10	160	177
TOT	1600	1770
		1920



Rp	PANNELLO ASPORTABILE - REMOVABLE PANEL	WHK 1804, 2604 HT LS
Ep	QUADRO ELETTRICO - ELECTRICAL PANEL	
Es	INGRESSO ALIMENTAZIONE ELETTRICA - POWER SUPPLY INLET	
IN UT	INGRESSO ACQUA UTENTE - USER WATER INLET	Ø 5" VICTAULIC
OUT UT	USCITA ACQUA UTENTE - USER WATER OUTLET	Ø 5" VICTAULIC
IN SO	INGRESSO ACQUA SORGENTE - SOURCE WATER INLET	Ø 5" VICTAULIC
OUT SO	USCITA ACQUA SORGENTE - SOURCE WATER OUTLET	Ø 5" VICTAULIC